

# NRCL Prognostic Network

## A Speculative Proposal

Pondering existence is a journey of the mind that has no boundaries. In contrast to this lofty mesa, however, we must also accept the fact that our own existence is, regrettably, quite finite. This concern invariably encompasses the desire to foresee events that may adversely affect our lives. Thus, fundamental to our existence is the innate ability to understand how the choices we make today shape all our future tomorrows (τι μέλλει γενέσθαι;) as inexorably driven by *cause and effect*. Yet there may be undiscovered phenomena not strictly bound by causal reality that can never be completely observed or understood, and that may in some way forge our destinies. It is suggested that such phenomena are rooted in nonlinear time, specifically, they may not consistently flow from *past* to *future*, or from *cause* to *effect*.

Section [13] of this paper states the core hypothesis of how a prognostic system, based on a network of identical NRCL devices (section [1]), may be affected by unusual or extraordinary phenomena. Additionally, section [10] describes the basic configuration of such a network. If the core hypothesis is true, and each NRCL device can be optimally adjusted to forecast events yet to come, then we may discover that our existence is not completely founded on the conventional understanding of causal reality. It may, in fact, be influenced by processes of “cause preceded by effect” that propagate at macroscopic levels. Section [2] states proposals A through E of how existence may be more than what any casual observer can discern.

[DOI: 10.13140/RG.2.2.12518.93764](https://doi.org/10.13140/RG.2.2.12518.93764)

Chris Andreadis  
Retired engineer,  
AT&T Technology Systems  
AT&T [Bell Labs](#), Holmdel, NJ  
9 June 2018

## ABSTRACT:

- 1 The most common reasons calibration procedures are updated are, i) to enhance system performance specifications, ii) to improve mean time before failure (MTBF) adversely affected by the current procedure or, iii) to address modes of function and failure over the wider scope of a system's influence on, and interaction with, target systems. In this case, the updated calibration procedure in the APPENDIX radically alters the function of the NRCL device (section [1]) from an enhanced true random number generator (TRNG) to a network component that may have significant ramifications with respect to forecasting schemes. Having said that, the following dissertation has nothing to do with random numbers *per se*, but rather the application of two diametrically opposed information archetypes contained within a single waveform type.
- 2 The introductory section presents some basic concepts that prompted the revision of the original calibration procedure. Yet due to limited resources, these concepts are, at best, conjecture since no field data has ever been collected from any working network of NRCL devices, large or small, as to how such a network would behave under the influence of unusual or extraordinary phenomena. This paper is a compilation of personal notes and observations from the original NRCL proof-of-concept prototype development that are included as a preface to the updated calibration procedure. Notably, the preface highlights an oversimplified interpretation of semiconductor physics commensurate with the NRCL Low Entropy Calibration objective, which is to assemble an interactive network of NRCL devices that, in theory, can *collectively detect phenomena not strictly bound by causal reality* at the macroscopic level.

[1] In the Autumn of 1994, an electronic circuit was built that generated random numbers as passwords or keys using two digitized noise sources in reciprocity (the *entropy function*) as shown in Figure 1. The design objective was to increase password randomness and to bind each key to a non-deterministic period using, in part, a novel circuit technique called DATA STREAM MONOTONICITY (Figure 2). The Non-Repeatable Code Lifetime (NRCL) generator is the proof-of-concept prototype used to show that the entropy function can be repeated at successive levels of integration. Final NRCL information output is characterized as an *augmented* data type that is defined as a binary code linked to the chronometric measurement of its *persistence* at each first stage output (OUTPUT A, OUTPUT B), a period called a *code lifetime* (LIFETIME A, LIFETIME B) as shown in Figure 2. Each code lifetime is deemed irreproducible, hence non-repeatable, in contrast to the code itself. The significance of *persistence* is that it is derived from the same signal type that produces the binary code output and, at all scales, is built up from two consecutive state changes of the digitized noise output. The *augmented* data type, as the term implies, is a union of two diametrically opposed information archetypes described as symbolic and non-symbolic (Figure 1).

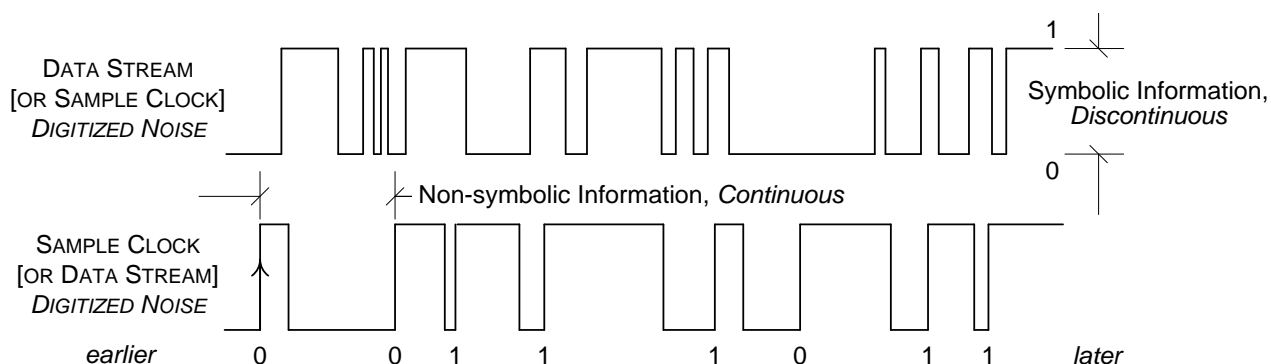


Figure 1. NRCL Entropy Function Reciprocity Diagram

[2] The revised calibration procedure in the APPENDIX was initially motivated by observations of avalanche noise and its potential connection to a phenomenon called “spontaneous phase space<sup>1</sup> convergence”. This phrase typifies the situation where two or more natural systems exhibit congruence, or resonance, in like parameters of their phase spaces without apparent cause or reason. The general case of this phenomenon is when like parameters of two or more natural systems become more, or less random with respect to each other, or to themselves over time, for no apparent reason. The full range of how such phenomena may be precursors of events yet to come, and how we may implicitly predict their arrival, is characterized in proposals A through E below. Even though current research has begun to address some of these concepts, such as the work done by *Recorded Future*<sup>2</sup>, this paper specifically considers how the NRCL augmented data type, based on a correctly adjusted entropy function, may enhance the ability of prognostic systems to foresee future events by how they disturb the behavior of natural systems in the present. Proposals A through E embody the possibility that the path of *cause and effect* may be mutable at the macroscopic level, as it is for physical processes at the microscopic level<sup>3</sup>.

A. Is existence, as we perceive it, governed by “cause followed by effect” alone or, as proposed in this paper, can there be phenomena outside the conventional understanding of causal reality that affect destiny?

<sup>1</sup> Phase space. (2017, January 20). In *Wikipedia, The Free Encyclopedia*. Retrieved 11:59, March 12, 2017, from [https://en.wikipedia.org/w/index.php?title=Phase\\_space&oldid=761038827](https://en.wikipedia.org/w/index.php?title=Phase_space&oldid=761038827)

<sup>2</sup> Recorded Future. (2017, March 11). In *Wikipedia, The Free Encyclopedia*. Retrieved 15:31, March 27, 2017, from [https://en.wikipedia.org/w/index.php?title=Recorded\\_Future&oldid=769709298](https://en.wikipedia.org/w/index.php?title=Recorded_Future&oldid=769709298)

<sup>3</sup> Arrow of time. (2017, March 5). In *Wikipedia, The Free Encyclopedia*. Retrieved 15:43, March 10, 2017, from [https://en.wikipedia.org/w/index.php?title=Arrow\\_of\\_time&oldid=768701986](https://en.wikipedia.org/w/index.php?title=Arrow_of_time&oldid=768701986)

B. If two or more natural systems exhibit congruence or resonance in like parameters of their phase spaces, without apparent cause or reason, can some unusual or nonlinear temporal process be at work other than attributing it to mere coincidence by itself?

C. In the general case of B, if like parameters of two or more natural systems become more, or less random with respect to each other, or to themselves over time, again without apparent cause or reason, can it be attributed to processes rooted in nonlinear time?

D. Over the widest scope of influence, is it possible that the collective impact of nonlinear temporal processes, hereafter *nt-processes*, may result in statistically significant deviations from a progression of likely outcomes over an ever-increasing number of natural systems?

E. Given that *nt-processes* propagate through causal reality in unknown ways, can they be implicitly observed by measuring their effect on a network of NRCL devices calibrated to detect the phenomenon of “cause preceded by effect”?

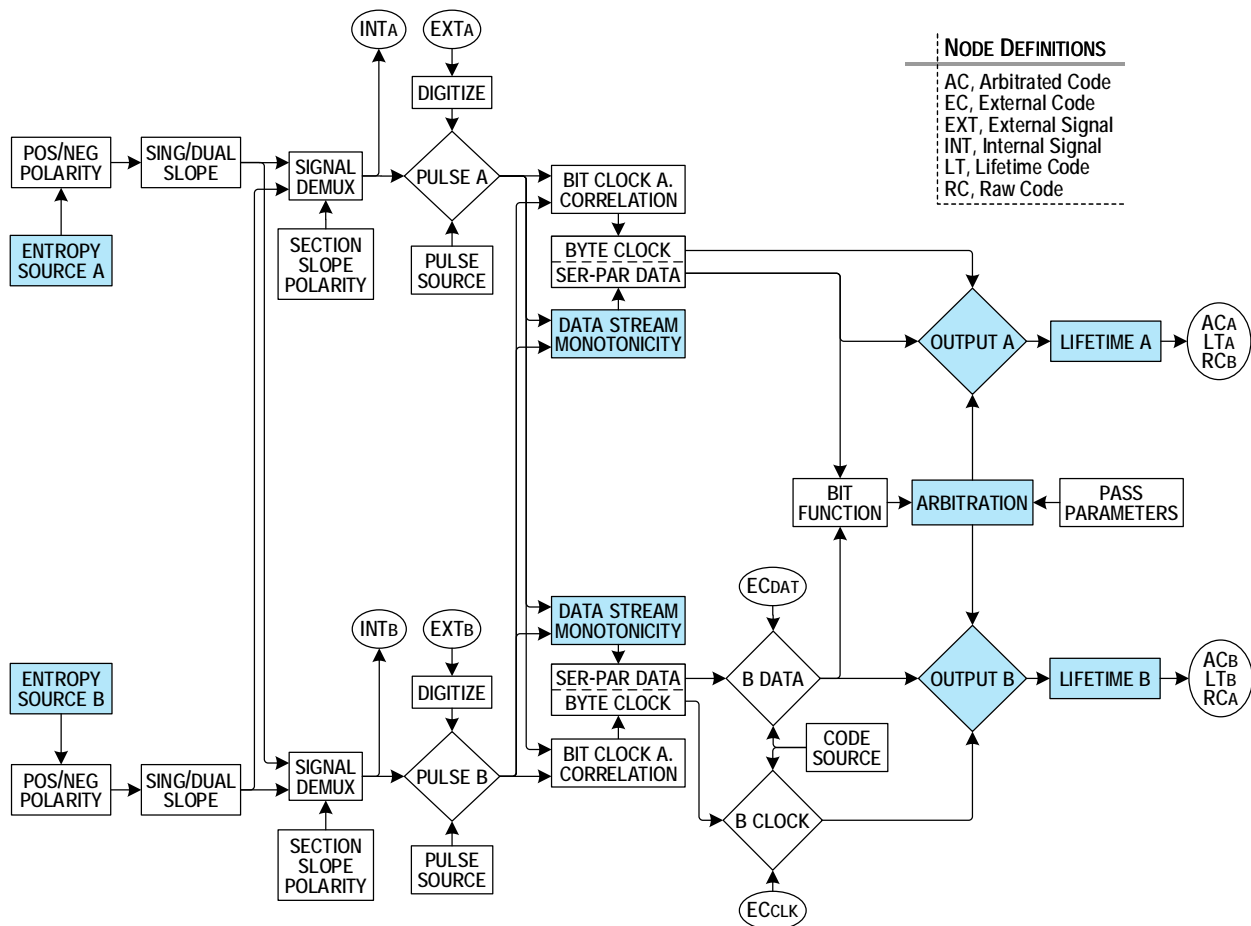


Figure 2. NRCL Prototype Block Diagram

[3] A set of premises that reconcile a phenomenon of semiconductor physics with the calibration procedure in the APPENDIX is herein presented. When the Noisecom [NC104 noise diode](https://www.noisecom.com/products/noise-diode) is minimally biased into avalanche breakdown<sup>4</sup>, its junction voltage continually approaches (but never quite reaches) a state of equilibrium. The entropy of the avalanche process, represented by state variable *S*, is principally stable over time because *minority charge carrier* (or simply *charge carrier*)

<sup>4</sup> Avalanche diode. (2016, December 20). In *Wikipedia, The Free Encyclopedia*. Retrieved 09:42, March 9, 2017, from [https://en.wikipedia.org/w/index.php?title=Avalanche\\_diode&oldid=755841600](https://en.wikipedia.org/w/index.php?title=Avalanche_diode&oldid=755841600)

formation and annihilation processes are reversible and balanced, and the diode remains undamaged. The entropy sources shown in Figure 2 (ENTROPY SOURCE A, ENTROPY SOURCE B) each use an NC104 device as the default signal source that drives the NRCL entropy function. Avalanche breakdown produces a *macrostate* voltage  $V_b$  across the diode junction that exhibits random fluctuations within an upper and lower voltage limit characterized as electronic noise. This is the result of the incessantly shifting microscopic configuration of charge carriers throughout the barrier region where breakdown occurs, with each described as a *microstate*<sup>5</sup> of the system.

[4] A stark presentation of the breakdown process is depicted by the idealized  $r \times r$  planar matrix of Figure 3 and illustrates a tangible example of two different microstates for  $r = 7$ . The formation regions ( $F$ ) are grouped into microstate patterns of *primary avalanche triggers* and show their distribution across an abstract matrix. A primary avalanche trigger is a spontaneous event that initiates the avalanche *chain reaction*<sup>6</sup> and has no predecessors as opposed to the case of collateral impact ionization stimulated by a larger, ongoing avalanche event. A good analogy of such a trigger event is the single grain of sand in an hourglass that spontaneously initiates a sand pile avalanche, and all subsequent cascades of sand grains are stimulated by their predecessors. The duration of the chain reaction from the primary trigger until the collapse (breakdown) stops is unpredictable, and encompasses the structured criticality<sup>7</sup> of any natural system pushed to its limits. In this analogy, each region of the  $r \times r$  planar matrix corresponds to an hourglass, and each trigger event is neither influenced by, nor interacts with, its adjacent neighbors. When the avalanche stops, the sand pile returns to stable growth and is represented by each annihilation region ( $A$ ) of Figure 3.

[5] The reasoning behind this oversimplification of breakdown dynamics is that it is commensurate with the scope of the NRCL Low Entropy Calibration procedure objective as stated in section 2 of the ABSTRACT. Thus, each formation region ( $F$ ) is where a “set” of charge carrier avalanches begin. Exactly when the next avalanche pattern commences within the matrix, and the total number of charge carriers released in *each* avalanche, is unpredictable. *For simplicity, this model categorically excludes the affinity of adjacent regions to exhibit higher or lower than expected probabilities of primary avalanche triggering as influenced by the region under consideration* (the hourglass matrix). Additionally, since  $V_b$  is not in a single, well-defined macrostate, the Gibbs entropy formula<sup>8</sup> is deemed applicable for expressing the total entropy  $S$  of the device as produced by set  $\mathcal{M}$  of all possible microstates of its breakdown process. From this, set  $\mathcal{M}$  is parsed into proper subsets  $\{\mathcal{M}'_i | \mathcal{M}'_i \subset \mathcal{M}\}$  consisting of  $n$  subset elements  $m(i)$ , expressed  $n(m(i))$ , and  $\{m(i)_p \in \mathcal{M}'_i | 1 \leq p \leq n\}$ . In this model, subset membership to  $\mathcal{M}'_i$  must comply with predefined acceptance criteria, specifically, *each subset element  $m(i)_p$  is herein defined as a microstate pattern of “simultaneous” primary avalanche triggers*.

[6] At this juncture, it should be evident that the model introduced in sections [4] and [5] is not a representation of avalanche breakdown in the NC104 device *per se* but rather a paradigm of the diode’s entropy over finite periods. As such, the NRCL Low Entropy Calibration procedure necessitates a distinction between high entropy and low entropy elements of  $\mathcal{M}'_i$  in that the more ways there are for an element to occur, the higher its entropy. For example, there are  $C(49,3) = 18,424$  possible patterns of a three-region primary avalanche trigger (written  $Fk$  where  $k = 3$ ) within a  $7 \times 7$  planar matrix and  $C(49,25) \approx 63.205 \times 10^{12}$  possible patterns of a 25-region primary avalanche trigger ( $Fk | k = 25$ ). Thus, an  $F3$  element is described as belonging to a lower entropy class of elements than any in an  $F25$  class of elements, and low entropy elements are less likely to occur than high entropy elements. However, two or more primary avalanche triggers never commence at *precisely* the same time. They are only deemed synchronous, or simultaneous, if the maximum period

<sup>5</sup> Microstate (statistical mechanics). (2016, November 25). In *Wikipedia, The Free Encyclopedia*. Retrieved 11:44, March 10, 2017, from [https://en.wikipedia.org/w/index.php?title=Microstate\\_\(statistical\\_mechanics\)&oldid=751459969](https://en.wikipedia.org/w/index.php?title=Microstate_(statistical_mechanics)&oldid=751459969)

<sup>6</sup> Chain reaction. (2017, August 23). In *Wikipedia, The Free Encyclopedia*. Retrieved 07:50, October 1, 2017, from [https://en.wikipedia.org/w/index.php?title=Chain\\_reaction&oldid=796803173](https://en.wikipedia.org/w/index.php?title=Chain_reaction&oldid=796803173)

<sup>7</sup> Structured criticality. (2017, August 30). In *Wikipedia, The Free Encyclopedia*. Retrieved 09:11, October 26, 2017, from [https://en.wikipedia.org/w/index.php?title=Structured\\_criticality&oldid=798074793](https://en.wikipedia.org/w/index.php?title=Structured_criticality&oldid=798074793)

<sup>8</sup> Entropy (statistical thermodynamics). (2016, August 25). In *Wikipedia, The Free Encyclopedia*. Retrieved 11:47, March 10, 2017, from [https://en.wikipedia.org/w/index.php?title=Entropy\\_\(statistical\\_thermodynamics\)&oldid=736091281](https://en.wikipedia.org/w/index.php?title=Entropy_(statistical_thermodynamics)&oldid=736091281)

between them, expressed  $max(d0)$ , is smaller than the bandwidth of the measurement system that observes them. To clarify the idea of tandem primary avalanche triggers being simultaneous, we first collate all microstates of  $\mathcal{M}'_i$  that ultimately exert a cumulative effect on macrostate junction voltage into arbitrarily defined *propagation domains* that encompass the complexity of  $V_b$  over successive levels of NRCL integration.

[7] The temporal hierarchy of propagation domains begin with interval  $I_{d0}$  that is comprised of a contiguous range of chronometric periods defined as  $\{d0 \in \mathbb{R} | 0 < d0 \leq max(d0)\}$  between *tandem* primary avalanche triggers that belong to a “singularly observable” element and though  $I_{d0}$  is defined, all  $d0$  periods are unquantifiable. It is for this reason that tandem primary avalanche triggers of any  $m(i)_p$  are deemed simultaneous. Note that for two or more primary avalanche triggers with  $d0 = 0$  between them, then we must consider the possibility of quantum entanglement<sup>9</sup> as an integral part of the avalanche process and characterize such primary avalanche triggers as being truly simultaneous. Following  $I_{d0}$  is the propagation domain interval  $I_{d1}$  defined as  $\{d1 \in \mathbb{R} | min(d1) \leq d1 \leq max(d1)\}$ , and  $d1(i)_p$  is the period between each  $m(i)_p$  in a sequence. Note that  $m(i)_p$  and  $Fk(i)_p$  refer to the same subset element of  $\mathcal{M}'_i$  and are used interchangeably. However,  $Fk(i)_p$  includes explicit parameters absent from  $m(i)_p$ . As such,  $d1(i)_p$  is the period from the commencement of element  $m(i)_p$  (or  $Fk(i)_p$ ) until the commencement of element  $m(i)_{p+1}$  (or  $Fk(i)_{p+1}$ ) for  $1 \leq p < n$ , called the *latency period* or *dwel time* of  $Fk(i)_p$  within the sequence. As stated, each  $m(i)_p$  represents a microstate pattern of formation regions that exist at any given instant in time and the number of  $N$  ways an  $Fk$  class of elements can initiate avalanches “simultaneously” is expressed  $N(Fk) = C(r^2, k)$ , where  $r$  and  $k$  follow the law of truly large numbers<sup>10</sup> and are deemed *finite and uncountable*. When  $k$  approaches a maximum or a minimum,  $Fk$  is characterized as a low entropy element (pattern) that constitutes, in part, the macrostate breakdown voltage  $V_b$  of the device over time. Shifting the focus to propagation phenomena, given  $Fk_1$  is the first element of a propagation sequence and  $Fk_n$  is the last, the first premise of the updated calibration procedure is,

premise 1 for the boundary set  $\{Fk_1, Fk_n\}$  that frames an ordered sequence by its first and last elements, the greater the absolute value difference in formation regions  $|Fk_1 - Fk_n|$  then the greater the change in breakdown voltage ( $\Delta V_b$ ) over the defined sequence and the lower the entropy of that sequence.

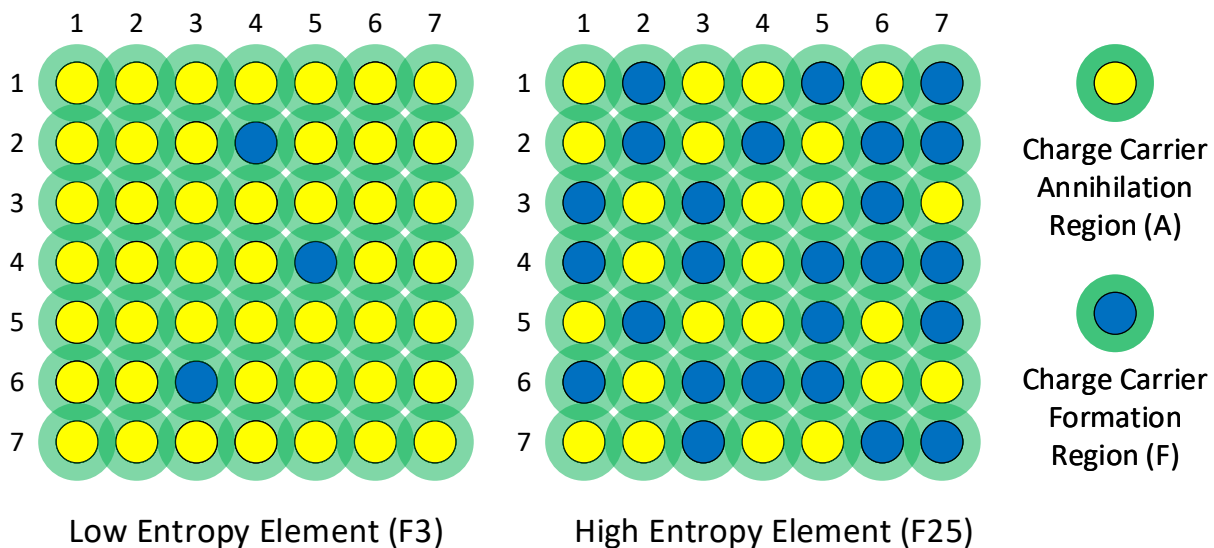


Figure 3. Primary Avalanche Trigger Microstate Patterns

<sup>9</sup> Quantum entanglement. (2018, June 5). In *Wikipedia, The Free Encyclopedia*. Retrieved 14:47, June 7, 2018, from [https://en.wikipedia.org/w/index.php?title=Quantum\\_entanglement&oldid=844461819](https://en.wikipedia.org/w/index.php?title=Quantum_entanglement&oldid=844461819)

<sup>10</sup> Law of truly large numbers. (2017, June 30). In *Wikipedia, The Free Encyclopedia*. Retrieved 13:51, October 26, 2017, from [https://en.wikipedia.org/w/index.php?title=Law\\_of\\_truly\\_large\\_numbers&oldid=788231072](https://en.wikipedia.org/w/index.php?title=Law_of_truly_large_numbers&oldid=788231072)

[8] A digital logic *state* at the output of the 74HC14 Schmitt Trigger inverter is represented by Boolean variable  $X$  and a *state change* is expressed as bidirectional function  $X \leftrightarrow \bar{X}$ . Breakdown voltage  $V_b$  from the NC104 cathode (schematics 1.1 and 1.2) is gain and offset adjusted through the CA3102M amplifier and its differential outputs  $V_b^+$  and  $V_b^-$  (collectively  $V_b^\pm$ )<sup>11</sup> are used to capture noise signals of interest at each 74HC14 input. Consequently, a state change occurs only under two well-defined circuit conditions. If the inverter's output is *TRUE* immediately prior to time  $t_s$ , expressed  $X(t_{s-1})$  where  $(s)$  is the sequence index of 74HC14 output state changes at specific times  $(t)$ , then the 74HC14 input was below the upper hysteresis trip point ( $V_{T+}$ ) such that  $V_b^\pm(t_{s-1}) < V_{T+}$  until  $V_b^\pm(t_s) > V_{T+}$  at time  $t_s$  and state change  $X(t_{s-1}) \rightarrow \bar{X}(t_s)$  occurs<sup>12</sup>. Conversely, if the inverter's output is *FALSE* immediately prior to time  $t_s$ , expressed  $\bar{X}(t_{s-1})$ , then its input was above the lower hysteresis trip point ( $V_{T-}$ ) such that  $V_b^\pm(t_{s-1}) > V_{T-}$  until  $V_b^\pm(t_s) < V_{T-}$  at time  $t_s$  and state change  $\bar{X}(t_{s-1}) \rightarrow X(t_s)$  occurs. The propagation domain interval  $I_{d2}$  is defined as  $\{d2 \in \mathbb{R} \mid \min(d2) \leq d2 \leq \max(d2)\}$  and  $d2 = t_s - t_{s-1}$  for the period between each 74HC14 output state change. From this, each  $d2(i)$  period demarcates subset  $\mathcal{M}'_i$  of  $n(m(i))$  elements that propagate in a unique sequence, and is predominantly influenced by the summation of each  $d1(i)_p$  period  $\sum_{p=1}^{n-1} d1(i)_p$  for the sequence  $\{Fk(i)_1, Fk(i)_2, \dots, Fk(i)_n\}$  that encompasses  $V(i)_b^\pm$  ( $V_b^\pm$  during  $d2(i)$ , called *persistence*) over finite periods of time. To a lesser extent, each  $d2(i)$  period is also influenced by the value of  $dV(i)_b^\pm/dt$  at time  $t_s$  when a trip point is breached (*drive*), and the PN junction depletion capacitance  $C_{PN}$  of the NC104 device (*impedance*). Note that  $d2$  is the latency period or dwell time of the 74HC14 state outputs.

[9] The NRCL Low Entropy Calibration procedure requires that the gain and offset of breakdown voltage  $V_b^\pm$  be adjusted so that it maximally occupies the 74HC14 input hysteresis window  $V_{HYS} = (V_{T+} - V_{T-})$  and is positioned near  $[(V_{HYS}/2) + V_{T-}]$ . By this procedure, it is *expected* that the number of subset elements  $n(m(i))$  of a low entropy sequence is from a set of maxima for the gain and offset adjustments in the APPENDIX. As such, every state change of  $X$  reveals low entropy subset  $\mathcal{M}'_i$  so described because it *likely* contains a maximized number of low entropy sequence elements. Additionally,  $\mathcal{M}'_i$  propagates in what is described as a low entropy,  $n(m(i))$ -element sequence that drives  $V_b^\pm$  to breach the active hysteresis trip points of the 74HC14 inverter inputs. Thus, the boundary set  $\{Fk(i)_1, Fk(i)_n\}$  defines a low entropy sequence of  $\mathcal{M}'_i$  because  $\Delta V(i)_b^\pm = |Fk(i)_1 - Fk(i)_n|$  is from a set of  $\Delta V_b^\pm$  maxima that delineates  $\mathcal{M}'_i$  by the state changes at the 74HC14 output. It is proposed that any quantity or order of  $n(m(i))$  may be influenced by nt-processes in such a way that  $n(m(i))$  and ultimately  $d2(i)$  (persistence) exhibit unanticipated statistical anomalies. Also, the sequence  $\{Fk(i)_1, Fk(i)_2, \dots, Fk(i)_n\}$  over  $d2(i)$  is unique and only happens once. That is, the same  $n(m(i))$  elements of subset  $\mathcal{M}'_i$  have a countless number of sequence orders that would *not* facilitate a state change over the same  $d2(i)$ , leaving the occurrence of subset  $\mathcal{M}'_i$  as never having happened. In other words, we only know what is going on at each 74HC14 input when  $V_b^\pm$  breaches an active hysteresis trip point and flips the corresponding 74HC14 output. All other events are *untraceable*. Thus, the second premise of the updated calibration procedure is,

premise 2 a traceable sequence of  $n(m(i))$  elements that facilitates a state change of  $X$ , based on the gain and offset adjustments outlined in the APPENDIX, is evidence that it is comprised of low entropy subset  $\mathcal{M}'_i$  and that it propagates in a low entropy,  $n(m(i))$ -element sequence over a unique  $d2(i)$  period.

[10] From these premises, a suggested approach to the challenge of proposals A through E is to assemble a network of NRCL devices linked to a central database for detecting uncommon phenomena figuratively described as *trans-physical*<sup>13</sup> or existing outside the conventional understanding of causal reality. Such a network can be integrated within, and disseminated throughout, existing network based *artifacts* such as ATM machines, POS terminals, Smart TVs, Mobile

<sup>11</sup> Designated as (+Aans, -Aans), and (+Bans, -Bans) on Schematic 1.1 for sections A and B respectively. Also, the term  $V_b^\pm$  refers to either  $V_b^+$  or  $V_b^-$  as independently applied to any given 74HC14 input.

<sup>12</sup> The case of  $V_b^\pm$  being equal to  $V_{T+}$  or  $V_{T-}$  is trivial since a hysteresis function is based on whether or not a trip point is breached.

<sup>13</sup> Though the prefixes *trans-* and *meta-* mean the same thing in Latin and Greek respectively, speculation is the basis of the term *trans-physical* and mysticism is the conceptual foundation of the term *meta-physical*.



Phones, Consular Embassies, distributed weapons systems, *et cetera*. The phasing in of NRCL devices into existing network infrastructures begins with device miniaturization, *Bit Coincidence* performance trials of the *Arbitration* section (see schematic 3.1 of the [NRCL Proof-of-Concept Prototype Schematics](#) on ResearchGate), mainframe processing of all the data rendered by each NRCL device, and any interactive functions that shape network dynamics. At a most fundamental level, avalanche noise epitomizes the incessant flux of causality and its ceaseless progression of all possible microstates  $\mathcal{M}$ , to a greater or lesser extent, may be influenced by nt-processes. The calibration procedure in the APPENDIX endeavors to “tune” the digitized noise outputs to low entropy sequences of low entropy subsets demarcated by each 74HC14 output state change. Notably, the implications of this are extraordinary<sup>14</sup> if we consider that nt-processes may affect the probability occurrence of a set of events and its propagation *sequence*. Thus, the third premise of the updated calibration procedure is,

*premise 3 changes in the statistical behavior of traceable low entropy subsets made manifest in low entropy sequences of those same subsets, as possibly influenced by nt-processes, would be the easiest to isolate and quantify for use as an analytical metric.*

[11] If the NRCL noise circuit is adjusted per the [NRCL Calibration](#) procedure of 30-December-2009, then the digitized noise bit stream does not adequately filter out all but low entropy subsets  $\mathcal{M}'_i$ . The noise circuits (ENTROPY SOURCE A, ENTROPY SOURCE B) need to be adjusted so that they capture only large-amplitude/low-frequency noise signal components that may be affected by nt-processes. This change in adjustment parameters requires that the original calibration procedure be modified as described in the APPENDIX. However, the concern about tuning the noise digitizers to such uncommon phenomena is stability and the long-term drift of noise board components. Yet, considering how significant such events may be, future circuit development should include a stabilization circuit as part of NRCL Standardization Protocol<sup>15</sup>. The question is whether nt-processes can, in fact, influence subsets of elements and their inevitable propagation in time, and if an array of NRCL devices tuned to such events can detect these nt-processes.

[12] As also suggested in proposal C, the influence of nt-processes may become apparent over time. Suppose we split a single digitized noise bit stream into two independent bit streams with one being a delayed version of the other, termed *temporal bifurcation*, and use a *past* state transition of the digitized noise signal to acquire a *present* state of itself, and *vice versa*. Though past events of the digitized noise signal should have no bearing on present events of the same signal after a critical amount of time has passed, there may exist some NRCL network configuration that could detect temporal anomalies initiated and sustained by nt-processes using a single digitized noise bit stream. In other words, it is suggested that the statistical profile of the NRCL augmented data type, as based on a single digitized noise bit stream, may change with respect to itself if it is influenced by trans-physical phenomena over time and over an ever-increasing number of natural systems. It is emphasized that there is no proof temporal bifurcation is any better at detecting nt-processes than would be by simply using two separate digitized noise sources. However, what remains unique to the NRCL proof-of-concept prototype is the added parameter of *code lifetime*, and that it may significantly contribute to this type of forecasting.

[13] Regardless of how the entropy function is facilitated, the core hypothesis of this paper is that each device in an NRCL network would normally exhibit a baseline behavior with respect to all the others as reflected in each one’s rendering of the augmented data type. However, if major events on the scale of *September 11*<sup>16</sup> or the *Beirut Bombings*<sup>17</sup> are imminent,

<sup>14</sup> The course of earth’s history, and even humanity itself, could have been quite different if nt-processes either accelerated or delayed the very first amino acids from coalescing into self-organizing, self-replicating organic molecules when and where they did.

<sup>15</sup> A group of functional standards that all NRCL devices in a network must comply with.

<sup>16</sup> September 11 attacks. (2017, October 15). In *Wikipedia, The Free Encyclopedia*. Retrieved 07:02, October 19, 2017, from [https://en.wikipedia.org/w/index.php?title=September\\_11\\_attacks&oldid=805423123](https://en.wikipedia.org/w/index.php?title=September_11_attacks&oldid=805423123)

<sup>17</sup> 1983 United States embassy bombing. (2017, September 10). In *Wikipedia, The Free Encyclopedia*. Retrieved 07:49, October 19, 2017, from [https://en.wikipedia.org/w/index.php?title=1983\\_United\\_States\\_embassy\\_bombing&oldid=799877357](https://en.wikipedia.org/w/index.php?title=1983_United_States_embassy_bombing&oldid=799877357)



for example, it is suggested that an ever-increasing number of NRCL devices would exhibit one or more “converging presents (nows<sup>18</sup>)” within the network appearing as subtle, nonuniform statistical variations of the augmented data type. Each imminent event correlates to the formation of a bow wave from a moving ship such that the more significant the future event, the greater the “bow wave” and the larger the cascade of natural systems whose behavior is altered in the present. The ability to detect such phenomena would be a hint that undiscovered and, as yet, unobservable nt-processes may be a source of variations in the mutual randomness between natural systems. If there are such phenomena at work, and they can be definitively measured or observed, then it could be the basis for truly prognostic systems in the most literal sense. Each NRCL component (node) of a prognostic network has an *identical* set of parameters in common with all the others so that evaluating how such a network is influenced by trans-physical phenomena is facilitated without onerous analysis, correlation, and normalization of dissimilar components that could distort the outcomes of such a network.



Figure 4. The Bow Wave Concept

[14] The nature of time has been the subject of much debate, disagreement, and discovery. To wrap the human mind around the mutability of *cause and effect* at macroscopic levels, Figure 4 is presented as an analogy of the bow wave concept stated in section [13]. The two-dimensional surface upon which change is experienced is the *present*, and the sphere is an event that both has happened, and will happen, depending on the direction of causality. If the process shown above is “*cause followed by effect*”, as normally encountered at macroscopic levels, then the sphere has already breached the surface and is retreating (rising) into the *past*. Its effect on natural systems is marked by changes in the present even after the event is committed to history. However, if the process shown above is “*cause preceded by effect*”, then the sphere has not breached the surface. Instead, it is approaching (falling) from the *future* and, as suggested in section [13], alters the anticipated progression of natural systems in the present. It is claimed that the future event disturbs the path

---

<sup>18</sup> Julian Barbour, see *Timeless physics*. (2017, August 7). In *Wikipedia, The Free Encyclopedia*. Retrieved 10:27, October 23, 2017, from [https://en.wikipedia.org/w/index.php?title=Julian\\_Barbour&oldid=794347270](https://en.wikipedia.org/w/index.php?title=Julian_Barbour&oldid=794347270)

of natural systems by way of temporal bow waves even before the event has arrived. However, the enigma of reverse causality makes the forecasting of an event difficult since we are looking at the “remnants” of something that has not occurred. If such phenomena are real, then they underscore the possible influence of nonlinear time as outlined in this document for the case of *cause preceded by effect* at macroscopic levels or, stranger still, the possibility of causal symmetry<sup>19</sup>.

[15] Though section [13] is untested and consequently unproven, its merit has been documented, to some extent and under a different set of hypotheses, in a currently running experiment taking place at the time this paper was written called the [Global Consciousness Project](#) (GCP) directed by [Roger D. Nelson](#). The question remains whether data generated by the GCP would exhibit more articulation if the Random Event Generator (REG) it uses were replaced by the Non-Repeatable Code Lifetime (NRCL) generator. A deeper consideration is that the GCP may have nothing to do with consciousness<sup>20</sup> *per se* but something described as a “Decoherence<sup>21</sup> cascade”, a phrase derived from the bow wave concept of section [13]. Over the widest scope of influence, we describe this phenomenon as a set of statistically significant deviations in the progression of likely outcomes over an ever-increasing set of natural systems. Whether consciousness initiates the greater phenomenon, is simply influenced by it, or maybe a combination of both, cannot be determined without an enhanced analysis of time-dependent phenomena. Interestingly enough, proposal D may have already occurred in the natural world as documented, for example, in the articles [A radon-thoron isotope pair as a reliable earthquake precursor](#) and [The strange case of solar flares and radioactive elements](#).

[16] In conclusion, it is suggested that the NRCL augmented data type may facilitate the investigation of nt-processes discussed in this paper under a new set of parameters for some future GCP-like experiment. Most intriguing is that nt-processes may exist apart from the anticipated flow of *cause and effect* at macroscopic levels. Consistently detecting trans-physical phenomena could ultimately enhance our understanding of what truly defines our existence and that there may be more to mere coincidence than chance.

---

<sup>19</sup> The possibility of cause both followed *and* preceded by effect.

<sup>20</sup> Discussions regarding “consciousness” most always touch on the dilemma of free will versus predetermination and may well reflect the quandary behind what constitutes “Global Consciousness”.

<sup>21</sup> *Decoherence* is the process whereby the quantum-mechanical state of any macroscopic system is rapidly correlated with that of its environment in such a way that no measurement on the system alone (without a simultaneous measurement of the complete state of the environment) can demonstrate any interference between two quantum states of the system. [from [McGraw-Hill Science & Technology Dictionary: Decoherence](#)]

## APPENDIX: NRCL LOW ENTROPY CALIBRATION PROCEDURE

	SECTION A		SECTION B	
	Circuit Ref.	Value	Circuit Ref.	Value
<b>Diode</b>	D1	NC104	D2	NC104
<b>Level</b>	VR1	10k	VR2	10k
<b>Balance</b>	VR3	2k	VR4	2k
<b>Offset</b>	VR5	2k	VR6	2k
<b>GND</b>	GND	Any ground TP	GND	Any ground TP
<b>TP1</b>	+Aans	J17	+Bans	J19
<b>TP2</b>	-Aans	J18	-Bans	J20
<b>TP3</b>	+Adns	J11	+Bdns	J13
<b>TP4</b>	-Adns	J12	-Bdns	J14

The following calibration procedure is applicable to both Section A and Section B. Schematic diagram test point designations have a section suffix so that TP3 of Section A, for example, is designated J11\_TP3A and is the convention followed on Schematics 1.1 and 1.2. The schematics have been updated and included in the PDF version of the [NRCL Low Entropy Calibration](#) procedure.

Test Equipment:        Tektronix TDS220 Two Channel 100MHz Oscilloscope (Scope)  
                               Tektronix WaveStar™ Software V3.0 (Program)  
                               Fluke 87 True RMS Multimeter (Meter)

Additional recommended test equipment not used in this procedure is a frequency counter with the ability to measure events per selectable unit time interval on two different channels.

PASSIVE COMPONENT ADJUSTMENTS

- 1) With the power turned off to the NRCL generator, set the Meter to Ohms, attach the positive lead to **GND** and press the negative lead onto the center leg of the Section A **Balance** potentiometer.
- 2) Set **Balance** for 1000 ohms within  $\pm 10$  ohms.
- 3) Move the negative lead onto the center leg of the Section B **Balance** potentiometer.

- 4) Set **Balance** for 1000 ohms within  $\pm 10$  ohms.

AMPLIFIER QUIESCENT BALANCE AND OFFSET ADJUSTMENTS

- 5) Short the **Diode** in Section A and Section B.
- 6) Apply power to the NRCL generator and allow at least 40 minutes for warm-up stabilization.
- 7) Adjust **Offset** for 2.000 volts between **GND** and **TP2** within  $\pm 5$  millivolts.
- 8) Adjust **Balance** for 0.000 volts between **TP1** and **TP2** within  $\pm 5$  millivolts.
- 9) Adjust **Offset** for 2.000 volts again between **GND** and **TP2** within  $\pm 5$  millivolts.
- 10) Repeat step 6) through step 9) for Section B.

Noise Output Adjustments

11) Apply CONFIG01 settings to the Scope.

CONFIG01							
CHANNEL1		CHANNEL2		HORIZONTAL		TRIGGER	
COUPLING	GROUND	COUPLING	GROUND	SWEEP	MAIN	TRIGGER	EDGE
BW LIMIT	ON	BW LIMIT	ON	TRIG KNOB	LEVEL	SLOPE	RISING
VOLTS/DIV	COARSE	VOLTS/DIV	COARSE			SOURCE	CH1
PROBE	10 X	PROBE	10 X			MODE	AUTO
						COUPLING	DC

12) Set VOLTS/DIV to 2.00V for both channels. Set CHANNEL1 position to 0.00 divisions, CHANNEL2 position to –3.00 divisions, and COUPLING on both channels to DC. Set SEC/DIV to 100 $\mu$ s and TRIGGER LEVEL to 2.48V.

13) Unshort the **Diode** in Section A and Section B.

14) Attach the CHANNEL1 probe of the Scope to **TP3**, the CHANNEL2 probe to **TP4**, and both probe ground clips to **GND**. Set both probes to X10 attenuation.

15) Adjust **Level** so that CHANNEL1 shows a pulse and set TRIGGER MODE to NORMAL.

16) Adjust **Offset** so that there are approximately the same number of signal pulses of opposite polarity between CHANNEL1 and CHANNEL2 based on the display density of the pulse “curtain”.

17) Rotate the **Offset** adjustment pot for a solid curtain of pulses on both channels. Slowly back off the **Offset** adjustment until the curtain shows a distinct, almost stepwise, change in the sparsity of pulses.

18) Set SEC/DIV to 10 $\mu$ s and the TRIGGER MODE to SINGLE.

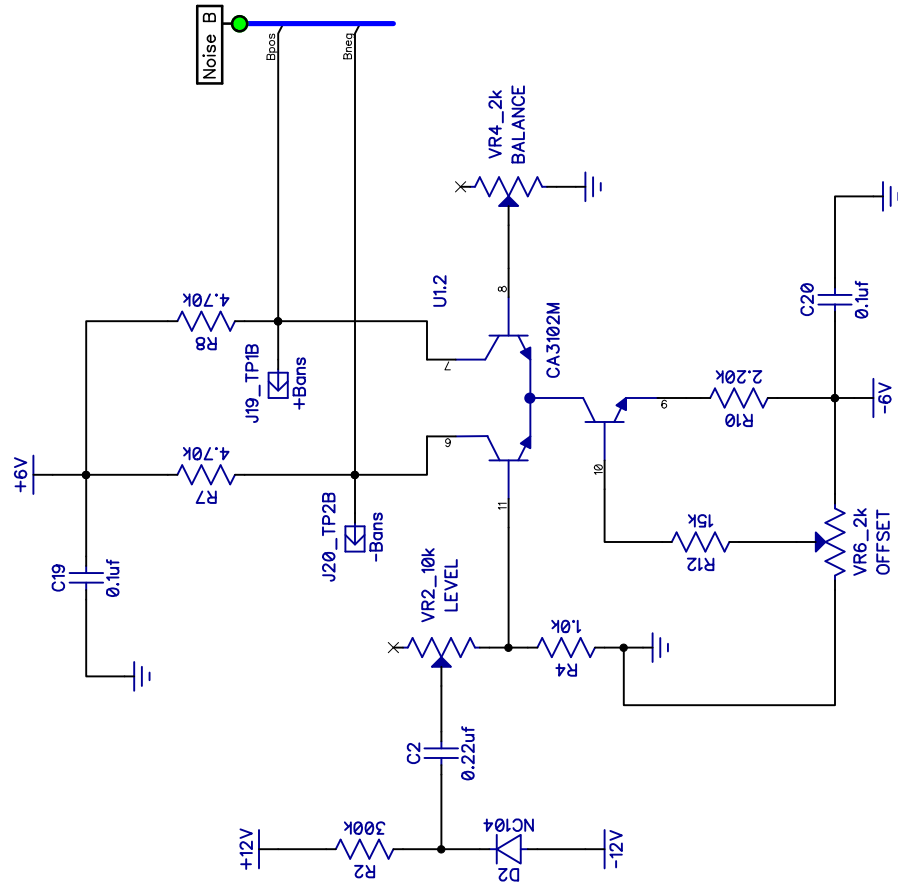
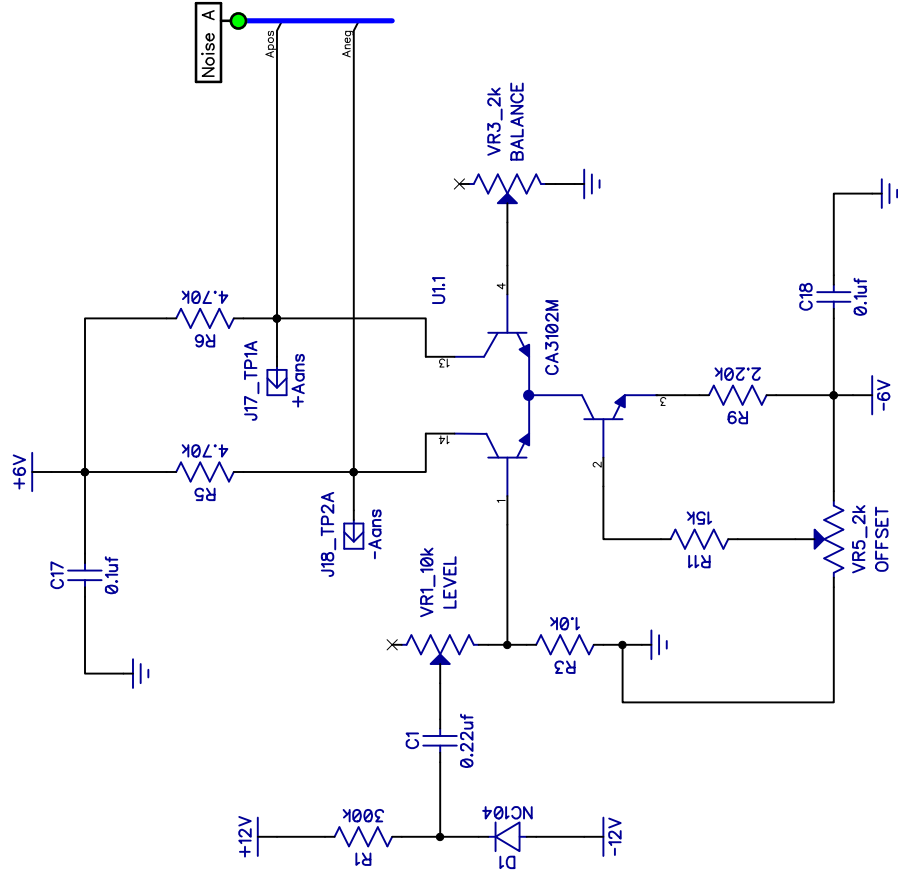
19) Repeatedly press RUN/STOP to check that there are, on average, about five pulses on each channel. In reality, the number of pulses can be as few as one and as many as ten on either channel display and will often show dissimilar pulse quantity and position between CHANNEL1 and CHANNEL1.

20) Use this SINGLE TRIGGER method to fine adjust the **Offset** so that there are typically an equal number of pulses on both channel displays.

21) [Optional] As a secondary check, set MATH to CH1+CH2, SEC/DIV to 500 $\mu$ s, and TRIGGER MODE to NORMAL. Fine adjust **Offset** so there are approximately an equal number of pulses above the display center line as there are below it. Set the TRIGGER MODE to SINGLE and repeatedly press RUN/STOP to verify that the number of pulses on both channels are about equal and sparse. Adjust **Offset** if necessary.

22) Set SEC/DIV to 100 $\mu$ s, TRIGGER MODE to AUTO and repeat step 14) through step 21) for Section B.

23) This concludes the NRCL Low Entropy Calibration procedure.



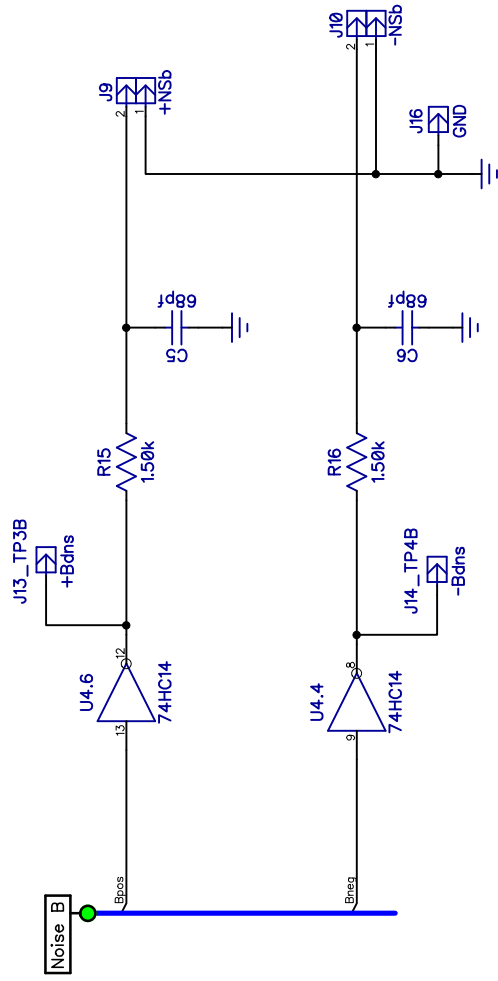
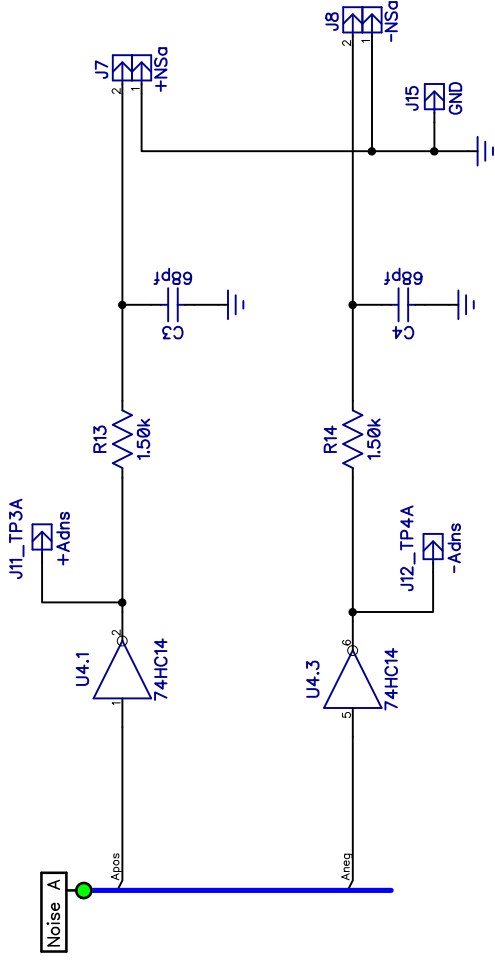
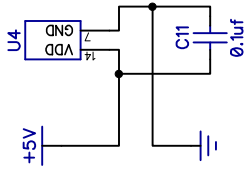
Author: C.L. Andreadis

Filename: NRCL\_B1rev03.dch

Date: 28-MAY-2009

Schematic: 1.1 Noise Amp

Description: Integrated differential output amplifier circuit  
for NC104 noise diodes.



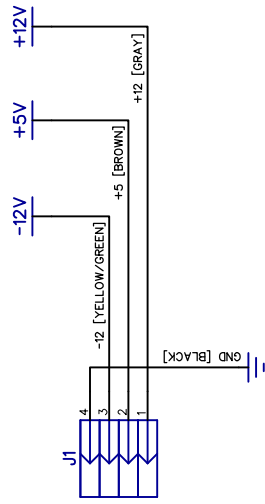
Author: C.L. Andreadis

Date: 28-MAY-2009

Filename: NRCL\_B1rev03.dch

Schematic: 1.2 Digitizers

Description: Schmitt Trigger digitization of amplified analog noise.



+12 Volts	< 50mA
+5 Volts	< 400mA
-12 Volts	< 50mA

Rear Panel Jones Connector, J1

